

# STORAGE

## CONTENTS

Laptops

Classrooms

Libraries



**sebel**  
FORM • FUNCTION • QUALITY •

# LAPTOP SECURITY AND STORAGE UNITS

Laptop storage is an important issue. The following units ensure security, storing and recharging of a number of laptop units at one time.

## 14 Bay Tilt Tech with Soft Start

This unit holds 14 x laptops. The soft start feature ensuring that all banks of laptops are not powered at one time causing a circuit overload.

Code: 2LC MTT -14



## 14 Bay PC Vault with ATC Eco System

This unit holds 14 x laptops. The ATC Eco System prevents overcharging, which could increase the risk of fire due to overheating. This feature allows a large number of laptops to be charged safely, without supervision even over the weekend.

Code: 2LC MT - 14A

Also available in 16 bay & 30 bay  
Optional - Docking Station



**HIGHLY  
RECOMMENDED**



Pneumatic wheels on the 7 & 14 Bay TiltTech make it easy to cross rough surfaces



The TiltTech's powerboard is hidden down on the bottom of the trolley



High security is achieved as the lock is at the back with a front opening



Vertical storage allows laptops to be stored in a compact space

## Tilt Tech Docking Station

This wall mounted docking station is the premium security option available for computer storage trolleys. The trolley glides into the docking station and is locked in with high strength 8mm steel pins.



## 14 Bay Wall Vault

The Wall Vault secures, stores and charges lap tops in a fixed location. The wall vault is available with vertical or horizontal storage compartments. Enclosed cabinets with ventilated cabinet provides adequate cooling.

14 Bay Wall Vault Code: 2LC-WV-14

14 Bay Wall Vault with ATC Eco System Code: 2LCWV-14A

14 Bay with Wall Vault with Soft Start Code: 2LCWV-14S

Available in 7, 14 & 28 bay sizes



# STOWMATES STORAGE SYSTEMS

How many uses can you find for this versatile storage system? Available in a range of configurations, the Stowmate Storage system is at home in the classroom, staff study, science preparation room or anywhere you need to keep items out of the way but within easy reach.

CODE	DESCRIPTION	WIDTH	DEPTH	HEIGHT
STRA-1	Storage System Mobile, 4 Box	640	375	1350
STRA-2	Storage System Mobile, 8 Box	640	800	1350
STRA-3	Storage System Free Standing, 4 Box	640	375	900
STRA-4	Storage System Free Standing, 6 Box	640	375	1300
STRA-5	Storage System Free Standing, 8 Box	640	800	900
STRA-6	Storage System Free Standing, 12 Box	640	800	1300

### Colours:

-  Charcoal/Almond/Teal/Slate/Red/Yellow/Green/Blue/Black/Sky/Shadow/Gunmetal
-  Teal/Sky/Grey/Slate/Almond/Coral/Honeycomb/Shadow/Bluegrey/Redgum/Red/Yellow/Blue/Green

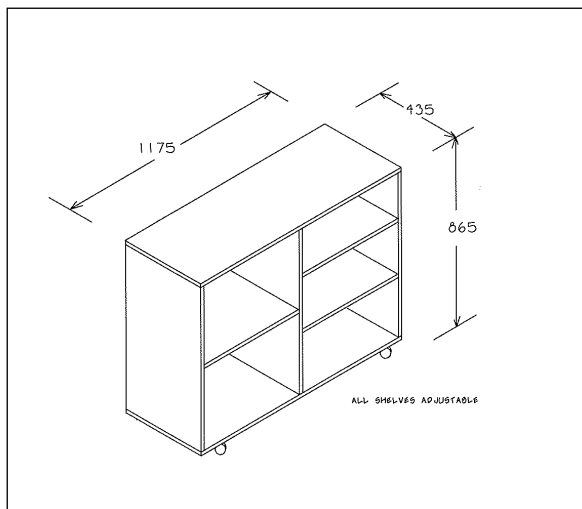


### FINISH SELECTION

These symbols indicate the types of finish that need to be specified on your order form for each product:

-  Plastic Colour
-  Laminate Colour
-  Paint Colour
-  Fabric Range & Colour

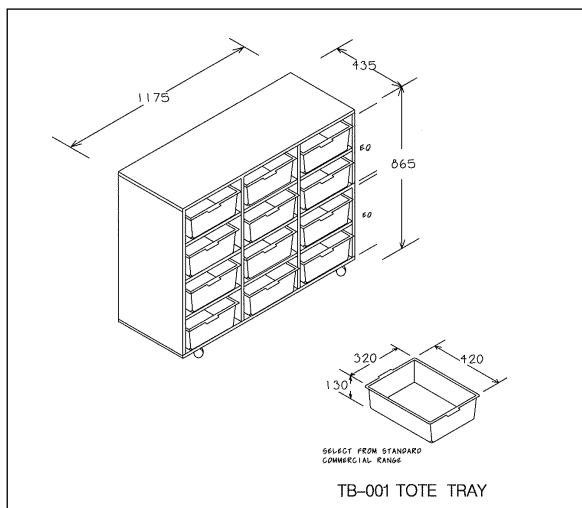
## Mobile Cupboards



B-51 - Bench Cupboard 1175 x 435 x 865  
Mobile, 1200, Open Shelves



B-52 - Bench Cupboard, Mobile, 1200, 6 Tote Trays,  
Complete with trays



B-53 - Bench Cupboard, Mobile, 12 Tote Trays,  
Complete with trays

TB001WH - Tote tray (white only)  
Both units are 1175 x 435 x 865