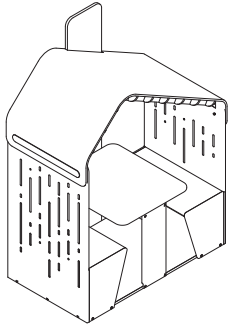


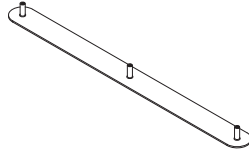
Supplied Components:



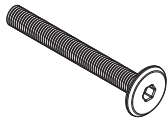
x1 Learning Hut



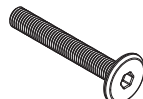
x18 Cross Dowel



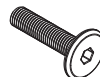
x2 Long Fixing Bar



x22 45mm Bolt



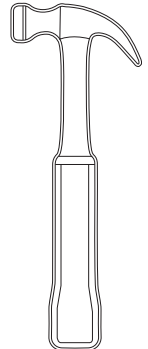
x10 32mm Bolt



x12 20mm Bolt

Tools required:

- Flat head screwdriver
- Hex head driver/alan key
- Hammer/mallet



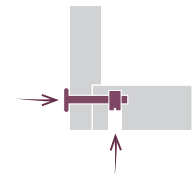
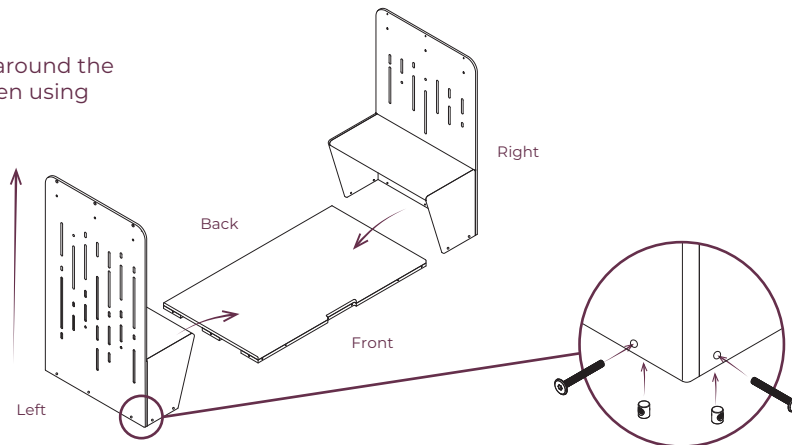
Before Starting:

- Insert all cross dowels into machined holes (using hammer if required)
- Using a screwdriver align cross dowels in center of hole
- Partially thread screws into cross dowel to check these are aligned

Assembly instructions:

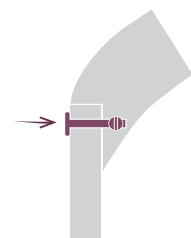
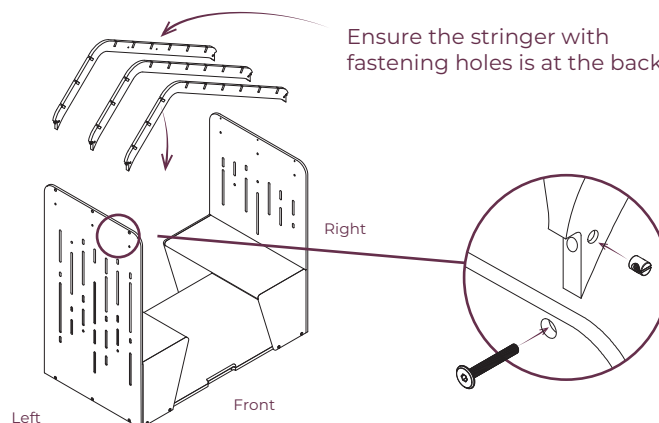
- Slide the seat & side around the end of the base. Fasten using x14 cross dowels & x14 45mm bolts.

Ensure the tall side is on the Left.

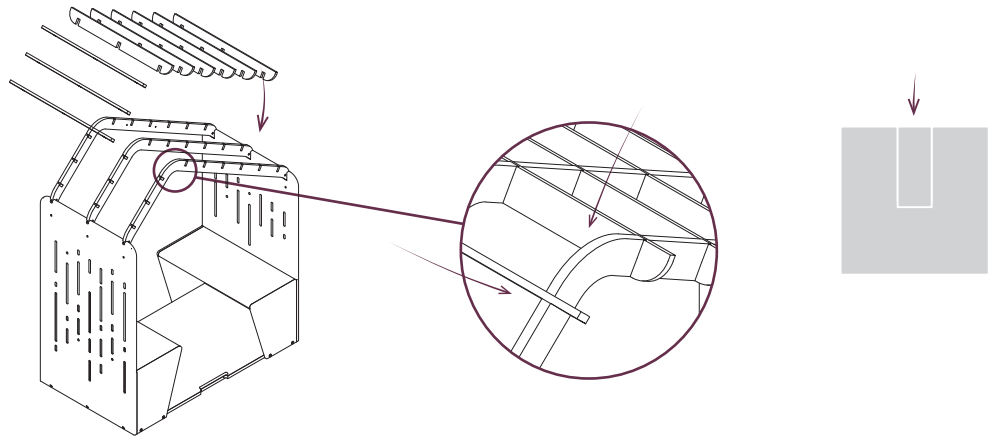


- Position stringers with the short side to the left. Fix stringers to sides using x6 cross dowels & x6 32mm bolts.

Ensure the stringer with fastening holes is at the back.

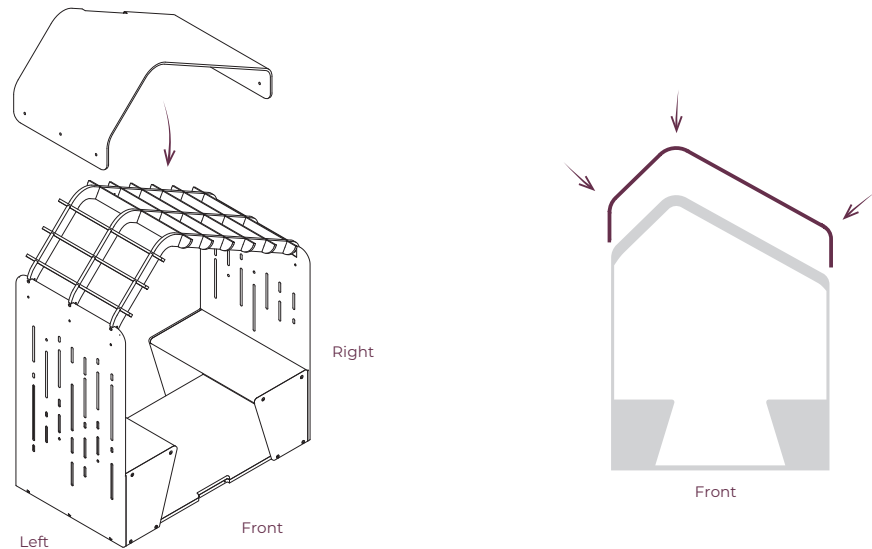


- 3** Slide each felt rafter into the slots in the timber stringers.

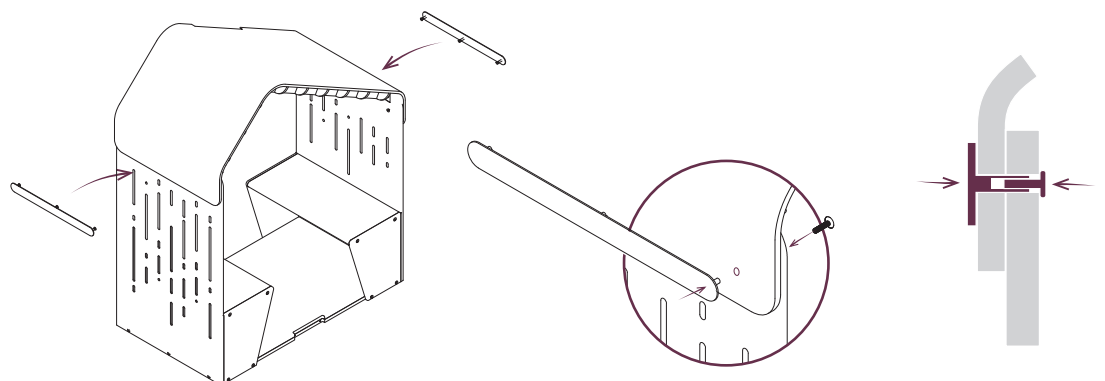


- 4** To position the roof, ensure the cut grooves are on the bottom and line up the corners with the stringer profile.

Short side on the left.

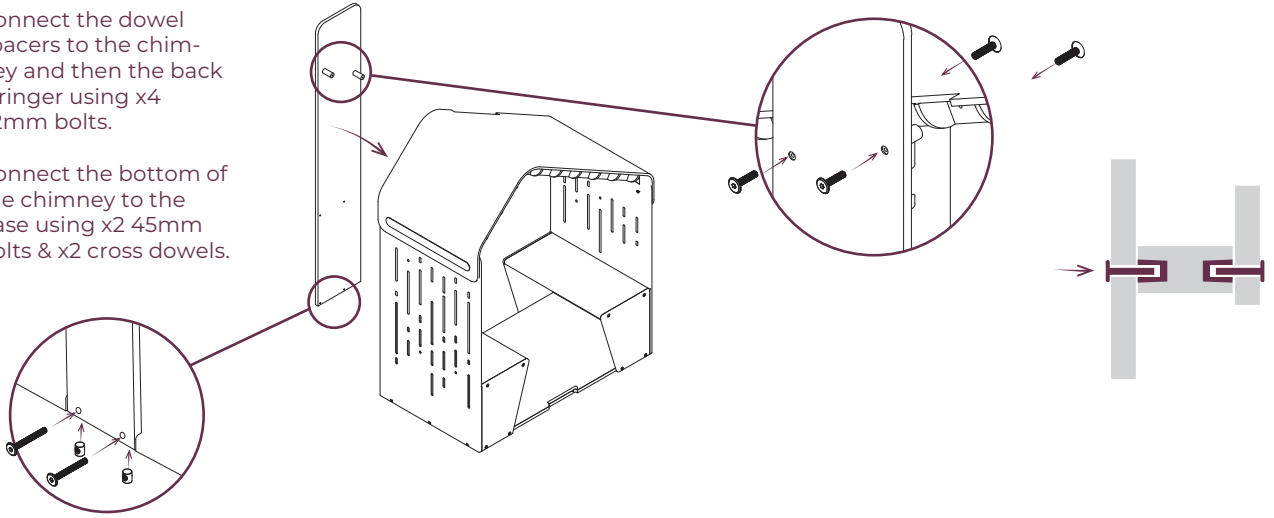


- 5** Push the fixing bars through the holes in the roof and sides. Fix in place using x6 20mm bolts.

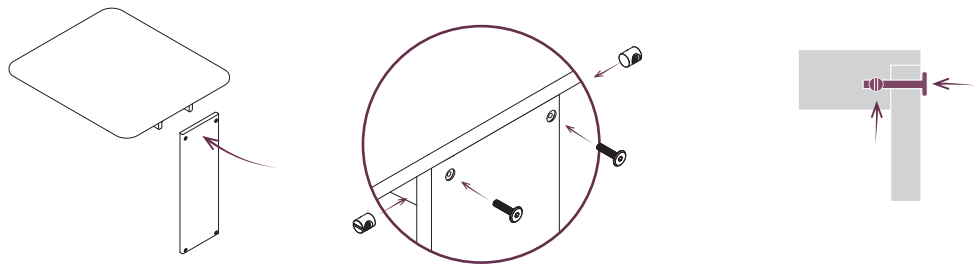


6 Connect the dowel spacers to the chimney and then the back stringer using x4 32mm bolts.

Connect the bottom of the chimney to the base using x2 45mm bolts & x2 cross dowels.



7 Fix table leg & table top in place using x2 cross dowels & x2 45mm Bolts.



8 Fix table leg & table top in place using x2 cross dowels & x2 45mm Bolts.

