



sebel™

Encore

Encore the ultimate in theatre and auditorium seating



[Learn more](#)

Encore

For over 75 years, Sebel has been committed to delivering top-quality products that excel in performance and longevity.

Our high performing spectator seating products have been the go-to choice for hundreds of stadiums, grand stands, lecture theatres and halls around the globe.

Encore seating has been designed to set it apart from conventional theatre and auditorium seating systems.

Encompassing state-of-the-art manufacturing technology, Encore is designed for locations demanding improved seating concepts. Sensible and necessary options combined with Encore's comfort, durability, minimal maintenance and ease of installation will satisfy the highest expectations of clients, architects and designers.



“ **Delivering unparalleled comfort and durability to theatres and auditoriums worldwide** ”



Designed, tested and manufactured locally to the highest International and Australian standards.

Encore offers superior, high performing features, such as:

- ⊕ Premium one-piece upholstered seat and back for a seamless, modern look.
- ⊕ Acoustically designed seat base ensuring consistent reverberation control.
- ⊕ Variety of installation options, including straight, curved, sloped or tiered, means Encore can cater to all venues.
- ⊕ Robust injection moulded, reinforced nylon frame ensuring ultimate durability.
- ⊕ Protective, wrap-around seat and back moulding that makes the seats much easier to clean and reduces ongoing maintenance and costs.
- ⊕ Dual backrest heights make for easy categorisation.
- ⊕ Static seat load testing certification (AFRDI) ensures your seating lasts the test of time.



“

With unparalleled comfort and durability, encore will have your guests thinking twice about that standing ovation.



[Learn more](#)

Encore offers a variety of options



Backrest styles



Folding tablet arms



Backrest styles

Available in two different backrest heights to complement any venue design requirements.



Free standing units



Row end infill panels



Folding tablet arms

Generous 'anti-panic' tablet arms make it the ideal choice for lecture and auditorium seating.



Mounting options



Fire rated



Various mounting options

Suits riser and pedestal mount platforms. Perfect for any application, from indoor arenas, concert halls, conference centers, lecture rooms and corporate boxes.



Row and seat identification



GPO and/or USB power



Free standing units

When extra seating is required, removable, free-standing units can be positioned on flat floor areas – quickly and efficiently.



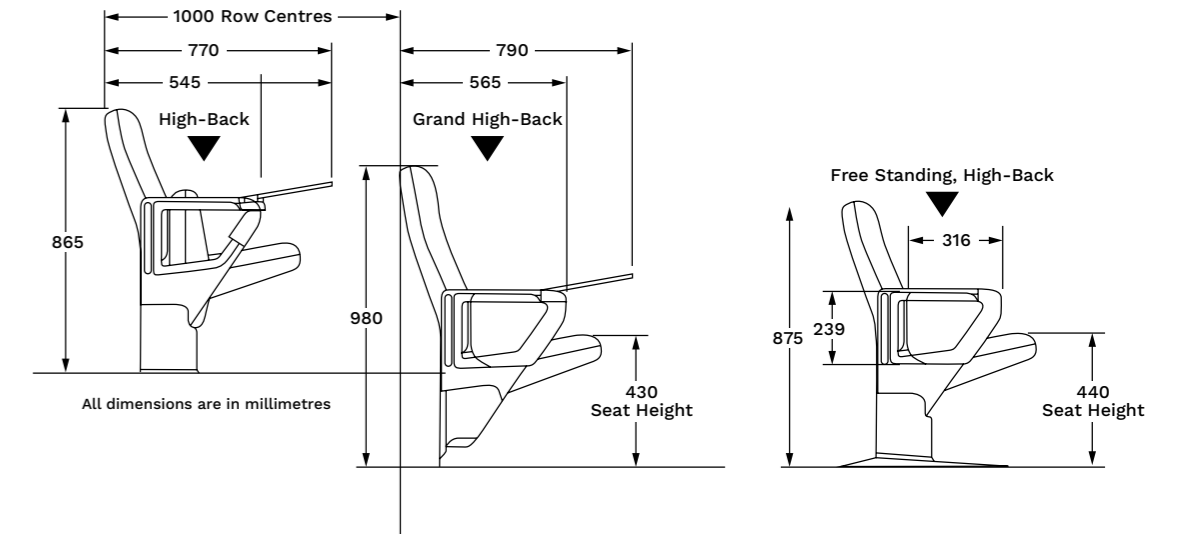
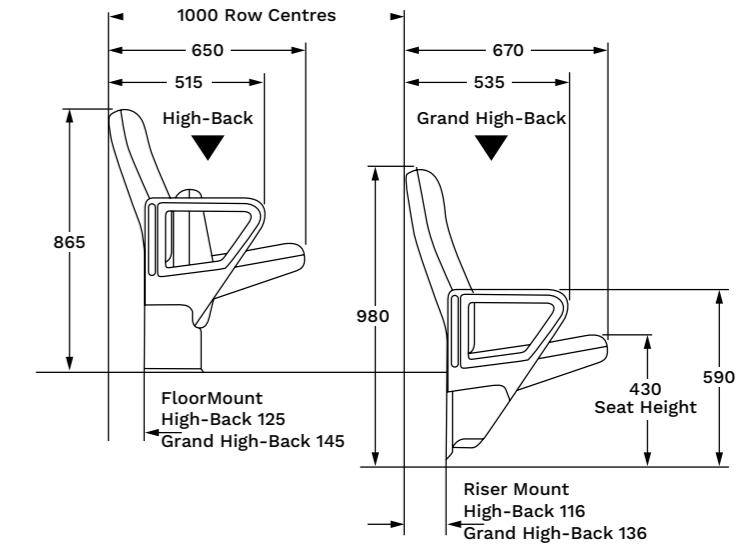
Aisle end ID illumination lights



Easily replaceable upholstered seat and back inserts

Encore layout dimensions

	Height (mm)	Depth (mm)
Encore high back	865	650
Encore grand back	980	670
Encore high-end with tablet	865	770
Encore grand high back with tablet	980	790



- 5 Year** Structural Warranty
- 1 Year** Installation Warranty
- Strength and Durability Testing
- Fully Recyclable

FIRE RETARDENCY (FR) For indoor applications passes AS1530.3

For outdoor applications The injection moulding mix used has been tested in accordance with AS1530 "Method for fire tests on building components and structures Pt3". We are not aware of any AS standard existing for outdoor seating, as such the BCA for "Other materials or locations (non Sarking) requires a Spread of Flame Index no greater than 9 and Smoked Developed no greater than 8. Sebel Stadia seating for our outdoor UV mix results at 7 and 5 respectively therefore deemed to satisfy provisions.

Superior seating, superior service

When it comes to high performing, built to last products, Sebel is unrivalled. Our design philosophy and extensive project experience ensures a hassle-free journey from start to finish, while also providing the best cost of life for your venue seating.



CAD Designs & Seating Layouts

We have the experience, design tools and resources including custom CAD drawings and floor plans to assist you when creating your ideal seating layout.



Extensive Range of Spare Parts

Sebel has an extensive range of spare parts available to keep your seating safe and looking good over the decades.



Project Management & Installation

Our team of experienced project managers will ensure your installation is hassle-free, from start to finish.



Easy Seat Replacement & Re-upholstery

Cleverly designed so you can re-upholster or swap out your seating and upgrade your venue with minimum fuss and cost.



Inner City College,
Perth



Sydney University
NSW, Australia



University of Wollongong
NSW, Australia



Brisbane Convention Centre
QLD, Australia



Learn more



Check out our full range at
sebelfurniture.com

Mari Helene

Stadia & Mass Seating Sales Lead

M. +61 428 198 715

E. mari.helene@sebelfurniture.com

John Ashton

Business Development Manager
Stadia & Auditorium

M. +61 419 013 287

E. john.ashton@reserogroup.com

Give our team a call today

1300 664 732

sales@sebelfurniture.com



sebelTM