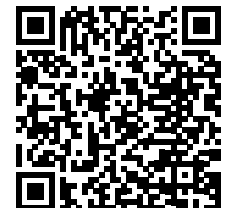


sebel™

Viva

Exceptional spectator seating that elevates stadium experiences.



Learn more

Viva

For over 75 years, Sebel has been committed to delivering top-quality products that excel in performance and longevity.

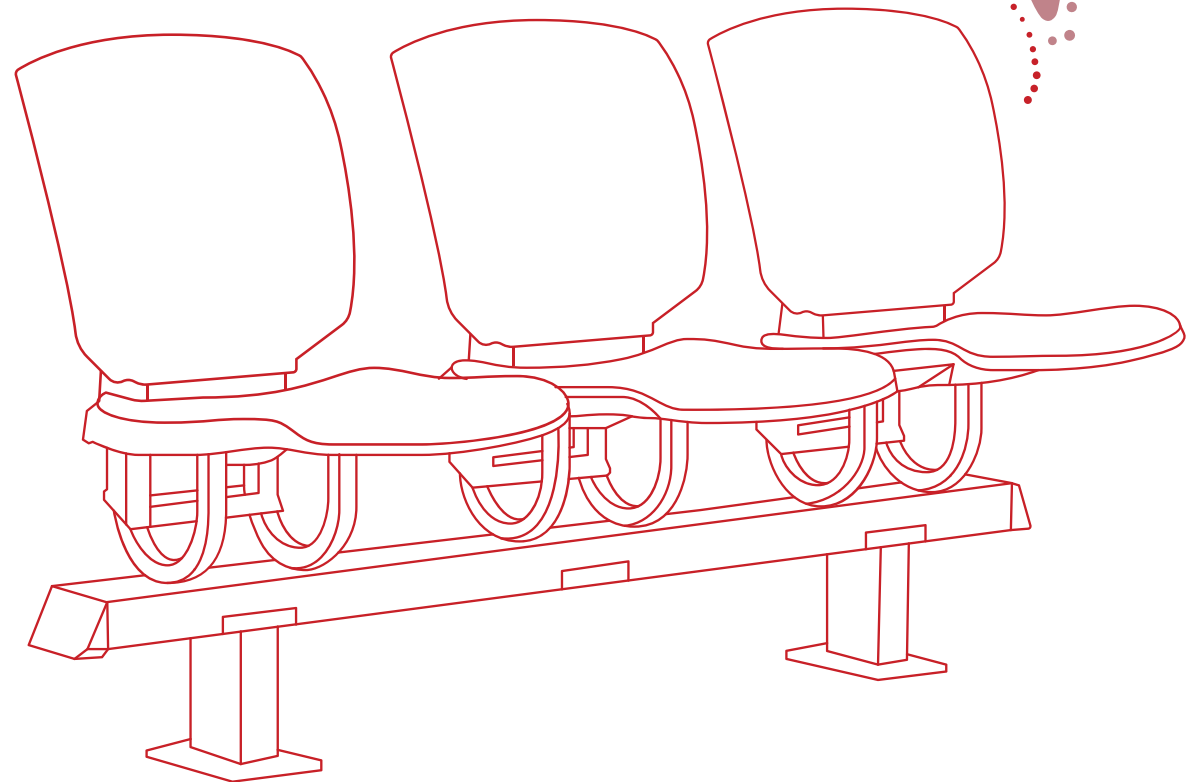
Our high performing spectator seating products have been the go-to choice for hundreds of stadiums, grand stands, lecture theatres and halls around the globe.

The clever modular design means there is a model of Viva to suit any application from general admission seating right up to premium seating.

Unique patented design that simplifies the installation process and eliminates the worry and cost of ongoing maintenance associated with spectator seating.



Designed, tested and manufactured locally to the highest International and Australian standards.



“ With sweeping curves and contoured body, Viva ensures maximum comfort and superior durability for all outdoor applications. ”

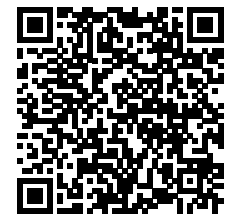
Viva offers superior, high performing features, such as:

- ⊕ Premium quality UV resistant polypropylene to keep your Viva seating looking good as new
- ⊕ Sweeping curves and a contemporary shape to ensure your venue will remain modern
- ⊕ The distinctive shape and full-size seat and back supports all users, ensuring lasting comfort
- ⊕ Waterfall front edge gives extra knee support where needed, maximising comfort for long sitting periods
- ⊕ Clean, uncluttered mouldings make the seats much easier to clean and reduces ongoing maintenance and costs
- ⊕ Cleverly designed to ensure maximum seat sizing without diminishing your venue capacities
- ⊕ Careful detailing and hidden fixings to prevent tampering and eliminate trap points, increasing spectator safety



“

Whether you've been cheering your team on at the Sydney Cricket Ground, engrossed in a university lecture or backing your favourite footy team at your local sporting ground, the chance are that you've probably enjoyed the moment from the comfort of Viva.



[Learn more](#)

Viva offers a variety of options



Backrest styles



Folding tablet arms



Armrests and cup holders



Upholstered seat and back



Mounting options



Fire rated



Row and seat identification



GPO and/or USB power



Branded stamping and embroidery options



Backrest styles

Available in different backrest styles to complement venue design requirements.



Arm rests and cup holders

Optional polypropylene armrest with cup holder is perfect for premium seating areas. Design is reversible for front or rear mounting.



Various mounting options

Suits riser and tread mount platforms. Perfect for any application, from indoor arenas, stadiums and educational facilities.



Row and seat identification

Seat numbering on front lip and row lettering available.

Viva layout dimensions

	Seat centres (mm)	Tread depth minimum (mm)	Width (mm)	Depth (mm)
Vantage Fixed Rail Vantage	460, 480, 500, 520	800	440	320
Vantage Fixed Rail with armrests	Minimum 510	840	505	490
Vantage / Variable Frame with cup holders	Minimum 515	840	510	425
Variable Rail Frame with A4 size tablet	Minimum 530	835	530	490
Variable Rail Frame with A3 size tablet	Minimum 530	900	530	490



5 Year

Structural Warranty



5 Year

Anti UV Outdoor Only



1 Year

Installation Warranty



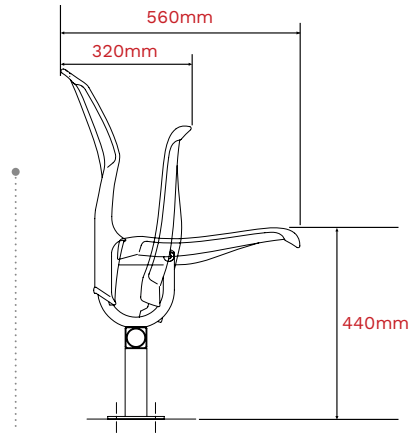
Strength and Durability Testing



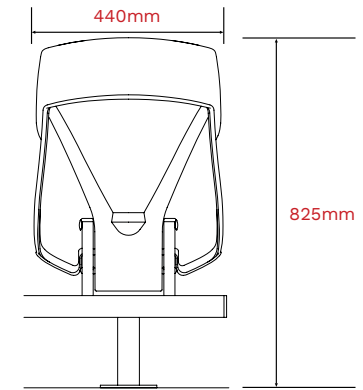
Fully Recyclable

FIRE RETARDENCY (FR) For indoor applications passes AS1530.3

For outdoor applications The injection moulding mix used has been tested in accordance with AS1530 " Method for fire tests on building components and structures Pt3". We are not aware of any AS standard existing for outdoor seating, as such the BCA for "Other materials or locations (non Sarking) requires a Spread of Flame Index no greater than 9 and Smoked Developed no greater than 8. Sebel Stadia seating for our outdoor UV mix results at 7 and 5 respectively therefore deemed to satisfy provisions.

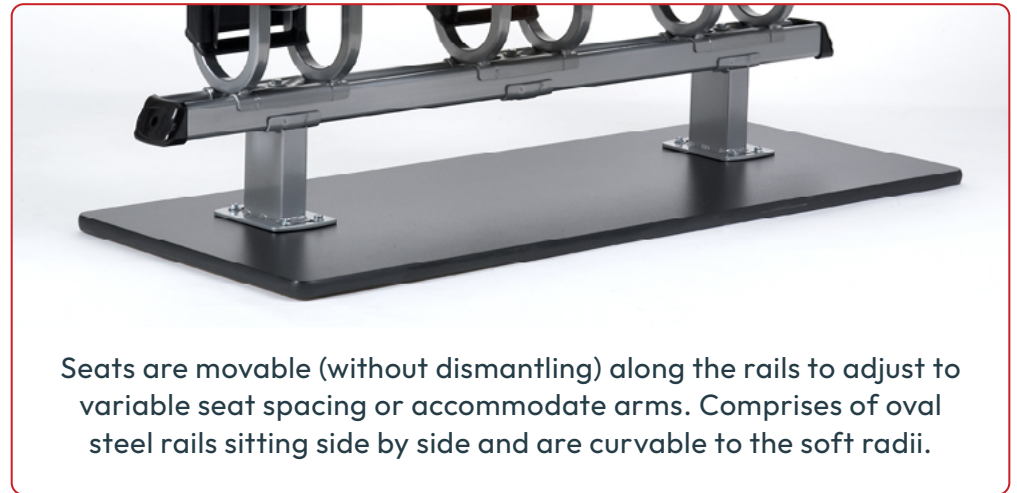


Side Profile



Front Profile

Available for both concrete and timber mounts



Seats are movable (without dismantling) along the rails to adjust to variable seat spacing or accommodate arms. Comprises of oval steel rails sitting side by side and are curvable to the soft radii.

Superior seating, superior service

When it comes to high performing, built to last products, Sebel is unrivalled. Our design philosophy and extensive project experience ensures a hassle-free journey from start to finish, while also providing the best cost of life for your venue seating.



CAD Designs & Seating Layouts

We have the experience, design tools and resources including custom CAD drawings and floor plans to assist you when creating your ideal seating layout.



Extensive Range of Spare Parts

Sebel has an extensive range of spare parts available to keep your seating safe and looking good over the decades.



Project Management & Installation

Our team of experienced project managers will ensure your installation is hassle-free, from start to finish.



Easy Seat Replacement & Re-upholstery

Cleverly designed so you can re-upholster or swap out your seating and upgrade your venue with minimum fuss and cost.



Go Media Stadium
Auckland, New Zealand



Suncorp Stadium
Brisbane, QLD, Australia



McDonald Jones Stadium
Newcastle, NSW, Australia



Adelaide Oval
Adelaide, SA, Australia



Learn more



Check out our full range at
sebelfurniture.com

Mari Helene

Stadia & Mass Seating Sales Lead

M. +61 428 198 715

E. mari.helene@sebelfurniture.com

John Ashton

Business Development Manager
Stadia & Auditorium

M. +61 419 013 287

E. john.ashton@reserogroup.com

Give our team a call today

1300 664 732

sales@sebelfurniture.com



sebel™